

# Technical Information

No. 5063

Edition: 08/05- subject to change

Substitutes: Edition 01/04

Status: valid

# Xenon Short Arc Lamp

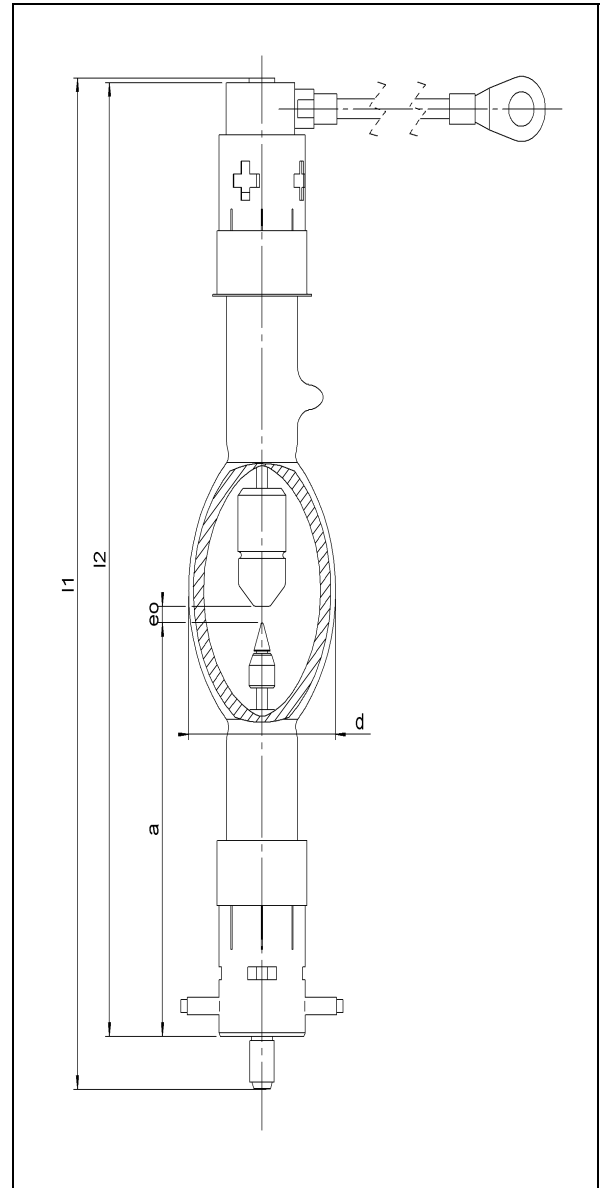
# XBO<sup>®</sup> 2000 W/SHSC OFR

## ■ Product description

The OSRAM XBO<sup>®</sup> 2000 W/SHSC OFR is a DC-operated lamp that is especially suited for applications requiring excellent arc stability and high luminance. The OSRAM XBO<sup>®</sup> 2000 W/SHSC OFR is designed for horizontal burning position (H = horizontal, S = short, C = cable)

## ■ Technical data

Order reference	XBO <sup>®</sup> 2000W/SHSC OFR	
Rated lamp wattage	W	2000
Rated lamp voltage	V	27
Rated lamp current (=)	A	70
Current control range	A	50 - 85
Ignition voltage	kV <sub>P</sub>	33
Min. open circuit voltage for cold / hot ignition	V	85/110
Luminous flux	lm	80000
Luminous intensity	cd	7500
Average luminance	cd/cm <sup>2</sup>	80000
Luminous area w x h *)	mm	1.3 x 4.0
Electrode gap e (cold)	mm	5.0
Lamp length (overall) l <sub>1</sub>	mm	max. 236
Lamp length l <sub>2</sub>	mm	max. 222
LCL a	mm	95
Bulb diameter d	mm	46
Average service life	h	2500
Warranty	h	2000
Base	Cathode	SFcX 27-8
	Anode	SK 27/50



\*) w = luminance half width value; h = height of luminous area (corresponds to electrode gap, hot)

## ■ Lamp operation

Maximum permissible base temperature	230 °C
Cooling	forced cooling / fan
Min. air flow velocity around discharge vessel	8 m/s
Burning position	s 20 (vertical ± 20°; anode up); p 20 (horizontal ± 20°)