

Technical Information

No. 5453

Edition: 01/06 - subject to change

Substitutes:
Status: valid

Xenon Short Arc Lamp

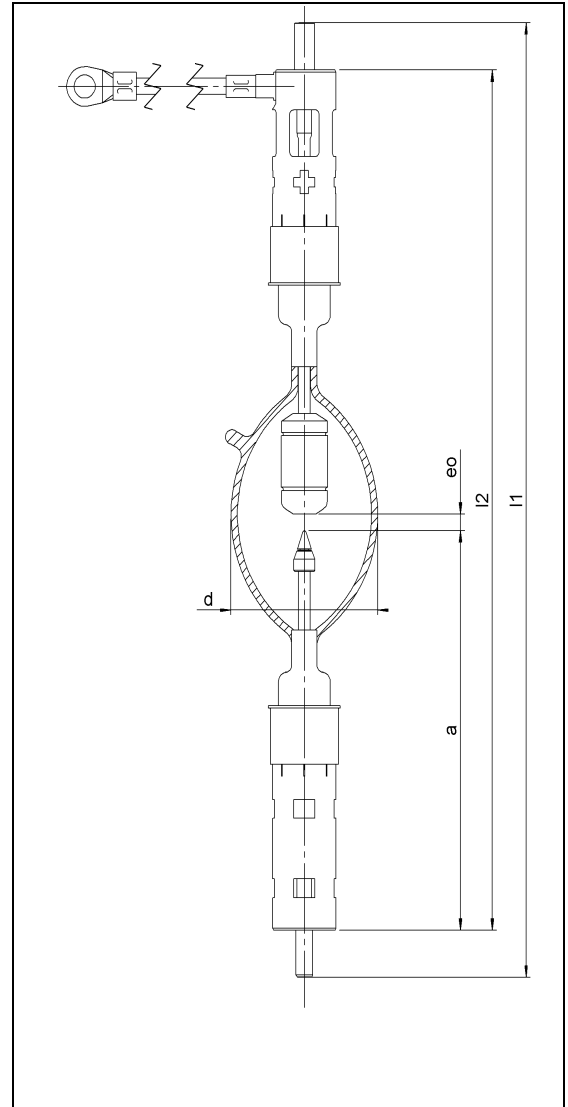
XBO[®] 2900 W/HP OFR

■ Product description

The OSRAM XBO[®] 2900 W/HP OFR is a DC operated lamp, which especially has been designed for applications, requiring highest level of performance in luminance and excellent arc stability. The XBO[®] 2900 W/HP OFR will fit the latest technical Video - Projection requirements.

■ Technical data

Order reference		XBO [®] 2900 W/HP OFR
Rated lamp wattage	W	3000
Rated lamp voltage	V	30
Rated lamp current (=)	A	100
Current control range	A	80 - 110
Ignition voltage	kVP	40
Min. open circuit voltage for cold / hot ignition	V	100 / 120
Luminous flux	lm	140,000
Luminous intensity	cd	13,500
Average luminance	cd/cm ²	180,000
Luminous area w x h *)	mm	1,3 x 3,5
Electrode gap e (cold)	mm	4,5
Lamp length (overall) l ₁	mm	max. 319
Lamp length l ₂	mm	max. 274
LCL a	mm	123
Bulb diameter d, max.	mm	55
Average service life	h	1000
Base		Cathode: SFc27-16/45 Anode: SfaX27-9.5x65.5



*) b = luminance half width value; h = electrode gap (hot) of running lamp

■ Lamp operation

Maximum permissible base temperature	°C	230
Cooling requirements		forced cooling / fan
Min. air flow velocity around discharge vessel	m/s	7
Operating position		s 110 (vertical - 20°, anode up)