

## Technical Information

No. 4200

Edition: 08/05 - subject to change

Substitutes: Edition 06/01

Status: valid

## Xenon Short Arc Lamp

# XBO<sup>®</sup> 4000 W/HS OFR

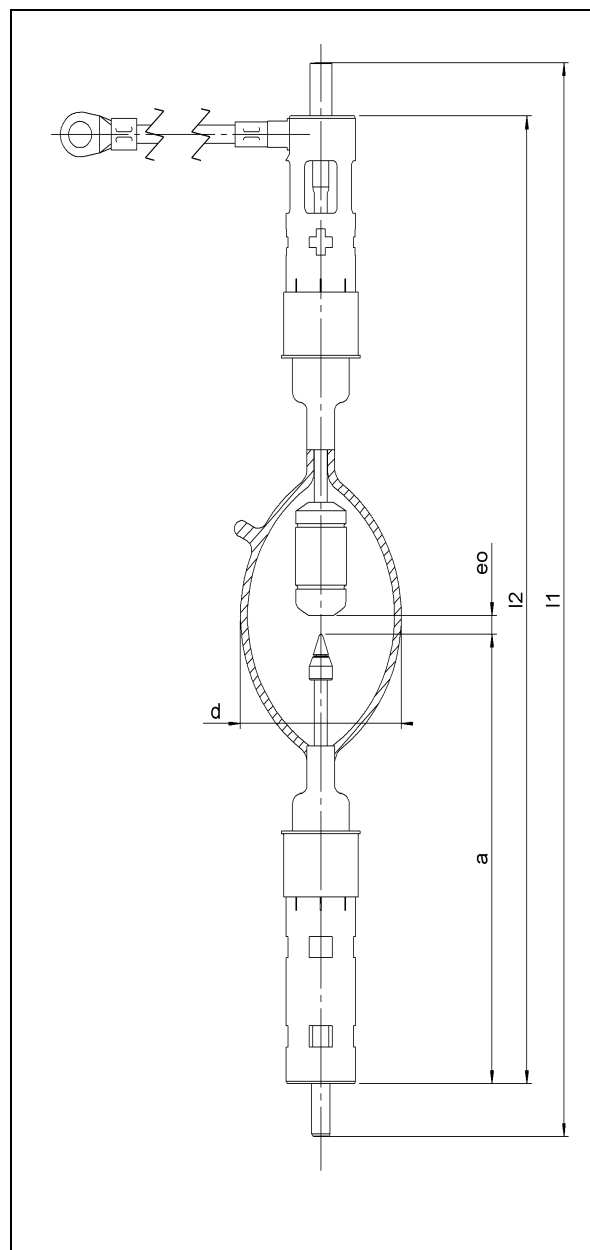
### ■ Product description

The OSRAM XBO<sup>®</sup> 4000 W/HS OFR is a DC -operated lamp that is especially suited for applications requiring excellent arc stability and high luminance. The OSRAM XBO<sup>®</sup> 4000 W/HS OFR is designed for horizontal burning position (H = horizontal, S = short).

### ■ Technical data

Order reference	XBO <sup>®</sup> 4000 W/HS OFR	
Rated lamp wattage	W	4000
Rated lamp voltage	V	28
Rated lamp current (=)	A	135
Current control range	A	80 - 150
Ignition voltage	kV <sub>P</sub>	33
Min. open circuit voltage for cold / hot ignition	V	75 / 100
Luminous flux	lm	155000
Luminous intensity	cd	17000
Average luminance	cd/cm <sup>2</sup>	90000
Luminous area w x h *)	mm	1.9 x 6.0
Electrode gap e (cold)	mm	7.0
Lamp length (overall) l <sub>1</sub>	mm	max. 410
Lamp length l <sub>2</sub>	mm	max. 370
LCL a	mm	171
Bulb diameter d	mm	70
Average service life	h	1500
Warranty	h	1000
Base	Cathode	SFa 30-7,9
	Anode	SFaX 30-9,5

\*) w = luminance half width value; h = height of luminance area (corresponds to electrode gap, hot)



### ■ Lamp operation

Maximum permissible base temperature	230 °C
Cooling	Forced cooling / fan
Min. air flow velocity around discharge vessel	6 m/s
Magnetic arc stabilization	necessary for horizontal operation
Operating position	s 20 (vertical ± 20° ; anode up) ; p 20 (horizontal ± 20°)