

General benefits:

- Can be integrated in all standard switch designs
- No addressing required, simple installation, intuitive operation
- Functions: on/off, fade up/down, save/delete fixed switch-on brightness, set/delete minimum basic brightness
- Almost universal use: classrooms, conference rooms, offices, partitioned rooms, luminaire groups, individual luminaires, etc.

DALI® MCU:

- Precise ergonomic manual dimming of a wide range of light sources with the DALI® interface
- More control points and controllable luminaires if multiple DALI® MCUs are connected in parallel
- Automatic synchronization enables the other control points to be used at any time without the risk of annoying side effects such as sudden changes in brightness

DIM MCU:

- Analog rotary dimmer with a 1...10 V interface
- Control of one control point



DALI® MCU/
DIM MCU



DALI® MCU



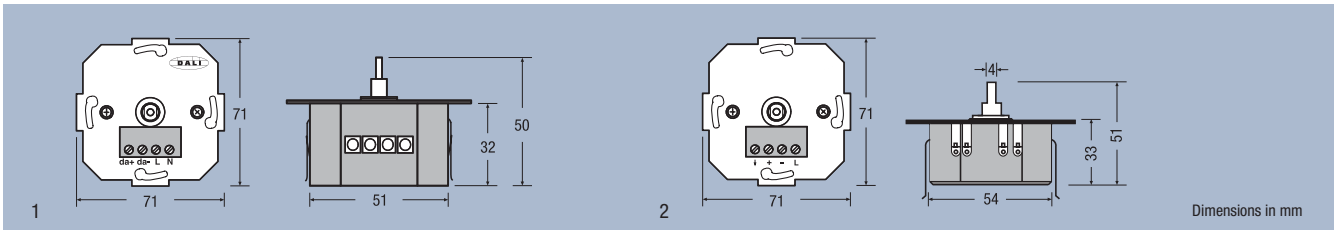
DIM MCU



MCU rotary dimmer – digital or analog

Simple, functional, convenient – dimming made easy.

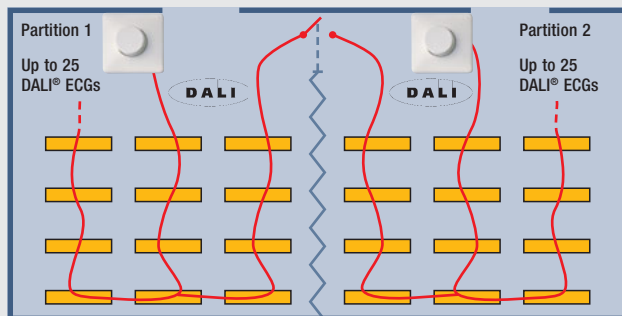
TECHNICAL DATA



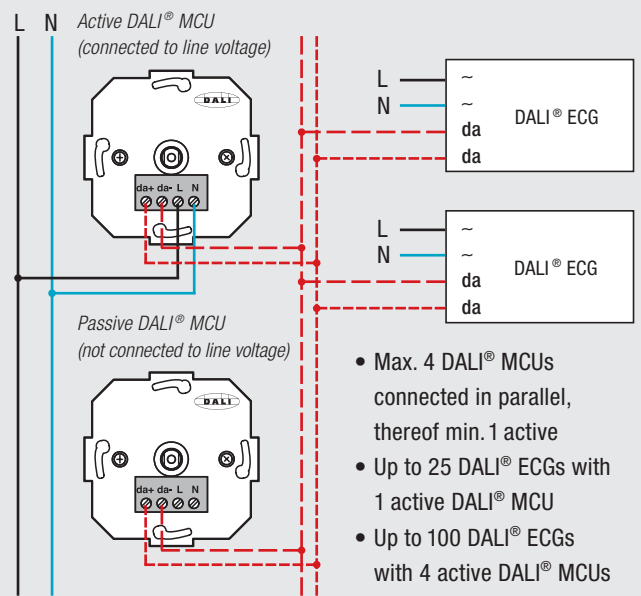
Product reference	DALI® MCU	DIM MCU
Product number (EAN)	4008321189721	4050300347424
Product graphic no.	1	2
Line connection	L, N	-
Operating voltage	230V AC, 50–60 Hz	230V
Power consumption	max. 3W	-
1...10 V interface	-	max. 50 ECGs
DALI® connection	da+/da-, max. 300 m cable length, max. 25 DALI ECGs	-
Perm. cable cross-section	1...4 mm ²	up to 1.5 mm ²
Ambient temperature	0...+50 °C	-20...+50 °C
Type of protection	IP 20	IP 20
Protection class	II	II
Approval marks		

Control of partitioned rooms with DALI® MCU.

The DALI® MCU digital rotary dimmer enables the lighting even for partitioned rooms to be easily controlled.



Wiring diagram for DALI® MCU.



For more information go to www.osram.com/ecg-lms



SEE THE WORLD IN A NEW LIGHT

