

Your benefits:

- Effective disinfection of water with ultraviolet light
- Simple handling
- No possibility of overdosing
- No need to keep supplies of chemicals
- Ideal for installing in vehicles as a 12 V version
- Ideal for use in the home and in water tanks as a 230 V version
- No risk to health from chemical disinfectants
- Environmentally friendly

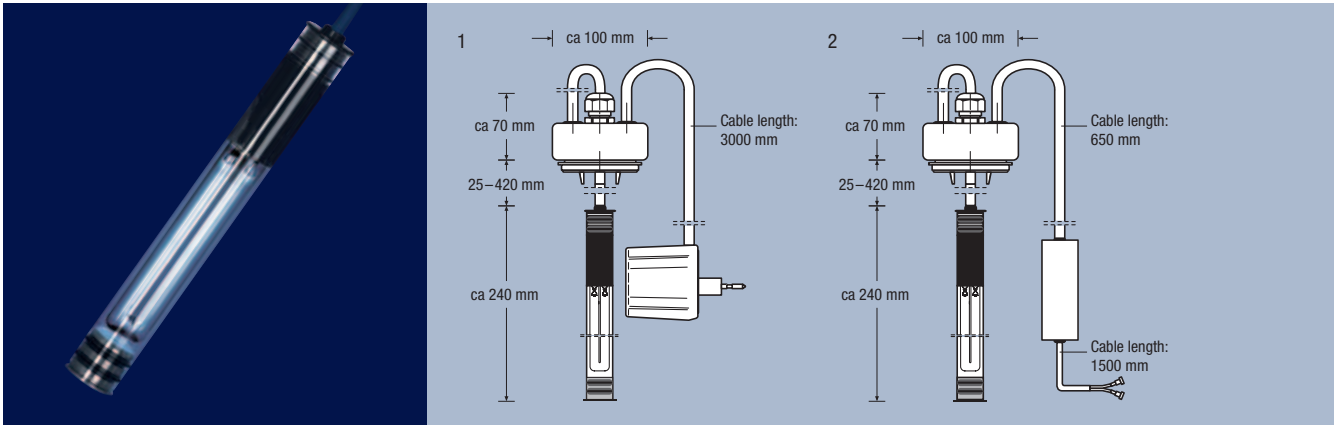
OSRAM PURITEC® LPS 9

Water purification with ultraviolet light – without additives.

SEE THE WORLD IN A NEW LIGHT



TECHNICAL DATA



OSRAM PURITEC® LPS 9

Product reference	UVC-LPS 9 CCG 230 V	UVC-LPS 9 ECG 12 V
Product number (EAN)	4008321 904812	4008321 904829
Figure	1	2
Lamp length	240 mm	240 mm
Lamp diameter	35 mm	35 mm
Insertion depth	max. 600 mm	max. 600 mm
Length of supply cable	3 m	1.5 m
Power consumption	9 W	9 W
UVC output	2 W	2 W
Minimum exposure time (20 l water)	15 min	15 min
Voltage	230 V	12 V

Incl. mounting ring for installation in water canister with DIN96 closures.
Replacement module available on request.

Recommended disinfection times for drinking water

OSRAM PURITEC® LPS 9

Volume in liters	Exposure time in minutes
1–3	5
10–20	15
20–50	20
50–100	30
100–200	60
–1000	300

Accessories



AQUACAN
EAN 4008321**913319**
(3 liter capacity)



Adapter cover TR128
EAN 4008321**162083**
(For simple installation in water tanks in caravans, boats, etc.)

Biological effect.

Special ultraviolet light renders germs in the water harmless without affecting the quality of the water. The 3 liter of drinking water in the AQUACAN are purified in 5 minutes. 200 liters of drinking water in mobile fresh water tanks are purified in only 60 minutes. It is sufficient to repeat purification every 24 hours with the appropriate exposure time.

Safety Information.

The lamps generate UVC radiation which can cause skin damage and conjunctivitis within a short time. The skin and eyes must be fully protected against exposure. If the water is to be used as drinking water, you should be aware that UVC radiation does not eliminate harmful non-degradable substances such as heavy metals or pesticides. Suitable filters are needed for these substances.